

# 集线阀岛

Multi-pin plug Valve terminal

- Wiring saving, only one or two multi-pin cable needed.
- Product integrated full aluminum alloy design
- Compatible with the mainstream solenoid valves

广东科优精密机械制造有限公司

GUANGDONG COYO PRECISION MACHINERY MANUFACTURING CO.,LTD

佛山市科优精密机械制造有限公司

FOSHAN CITY COYO PRECISION MACHINERY MANUFACTURING CO.,LTD

ADD: No.3, Leyuan Road, Industrial Park, Lechang  
Zone, Shaoguan City, Guangdong Province

Tel: 0751-5575317

Fax: 0751-5575817

Website: [www.gdcoyo.com](http://www.gdcoyo.com) [www.fskeyou.com](http://www.fskeyou.com)

Alibaba: <https://keyouly.168.com/>


E-mail: [fskeyou@163.com](mailto:fskeyou@163.com) [fscoyoal@outlook.com](mailto:fscoyoal@outlook.com)



Website

# How to order valve

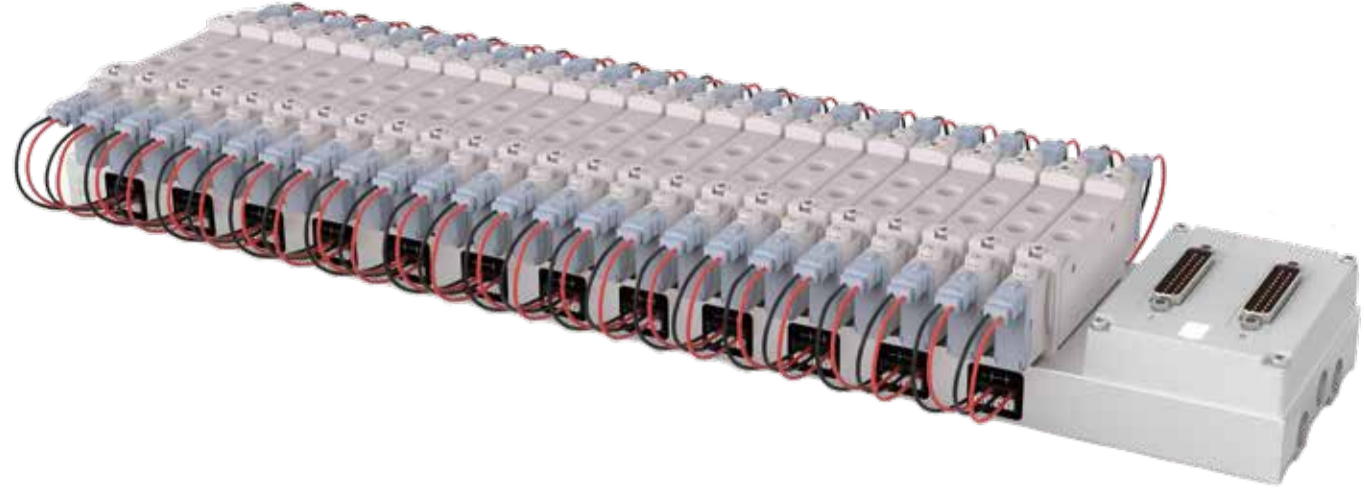
## Model identification Method



**Universal Valve terminal**

**Characteristic**

- Use regular manifold plate
- Multi pin module
- High universality
- Favorable price



**Universal Valve terminal**

**Characteristic**

- Customize base
- The product features an integrated design
- Beautiful appearance

## F1- (VUVG-L14 )-04-A0B4



- Code① : Solenoid model (Rate voltage:DC24V, the wiring outlet method selected is plug-in type.) If both single and double solenoid are present, only fill in the single solenoid.
- Code② :Solenoid position,4-24(single solenoid support max. position up to 24, double solenoid support max. position up to 12)
- Code③: Single/double solenoid quantity(must meet the requirement  $A+2B \leq 24$ )

A(single solenoid)	B(double solenoid)
0-24	0-12

Code④: Surface treatment of Manifold (The default finish is brushed matt)

Code⑤:Thread Type of supply & exhaust port (The default thread is same as solenoid)

**Remark: Cable is not included in this model, for DB connector cable need to choose separately.**

## F2S- F02 -04B



Code① : Solenoid model (Rate voltage:DC24V). Suitable solenoid series as below. the wiring outlet method selected is plug-in type). Customize is acceptable, if the mounting size is similar with below solenoid.

Re: Please inform your selection between L and LK series, if you choose F01 or F02.

Brand	Series	Type
FESTO	F01	VUVG-L10
	F01	VUVG-LK10
	F02	VUVG-L14
	F02	VUVG-LK14
SMC	S01	SY3
	S02	SY5
	S03	SY7
AIRTAC	A01	4V100M
	A02	4V200M
	A04	7V0500M
	A05	7V100M
	A06	7V200M
CKD	C01	4GD1
	C02	4GD2

Code②: Solenoid position (only be even number position), 4-24 (single & double solenoid support max. position up to 24). A for single solenoid, B for double solenoid. For example: 04B represent 4 position double solenoid.

Code③: Surface treatment of Manifold (The default finish is brushed matt)

Code④: Thread Type of supply & exhaust port (The default thread is same as solenoid)

**Remark: Cable is not included in this model, for DB connector cable need to choose separately.**

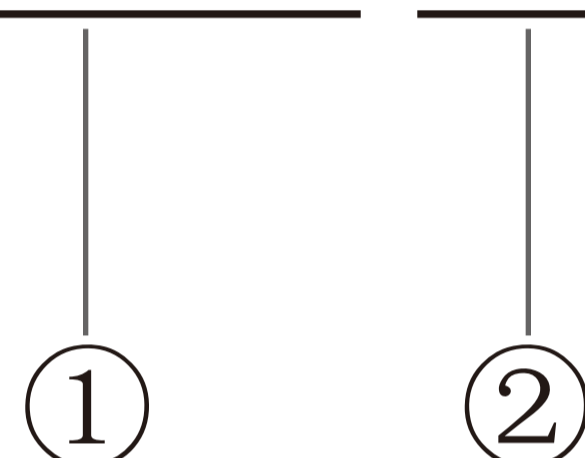


Sub-base valve terminal

**Characteristic**

- Product integrated full aluminum alloy design, with a beautiful appearance,
- Custom-made for specific solenoid valves.

## F3-4V110M-04F



Code ① : Solenoid model (Rate voltage:DC24V).This valve terminal is available for those solenoid with sub-base and bottom inlet function. Model 4V110/4V210/4V310 are producing.

NO.	Method of wiring outlet	Type of single solenoid		
1	Vertical	F3-4V110M	F3-4V210M	F3-4V310M
2	Horizontal	F3-4V110MC	F3-4V210MC	F3-4V310MC

NO.	Method of wiring outlet	Type of single solenoid
1	Horizontal	F3-4V220M

Code② : All solenoid position , 4-12 ( Only support single solenoid)  
For example: 04 represent 4 positions.

Code③: Surface treatment of Manifold (The default finish is brushed matt)

Code④: Thread Type of supply & exhaust port (The default thread is RC)

**Remark: Cable is not included in this model, for DB connector cable need to choose separately.**

## Connector cable

### Cable for F1/F2S valve terminal



DB connector

\* Our standard cable inventory includes single-head cables of 1.5m, 3m, and 5m lengths., if you choose other specification (for example: double head, customize length) there may be a longer lead time for delivery.

\* The DB25 connector is available in two options: controlled with 12 coils or 24 coils. By default, we recommend selecting the option that corresponds to the actual number of coils used



Mark	Contactor
S	Single head
D	Double head

Mark	Number of Controllable Coils
12	12
24	24

Mark	Length
150	1.5 M
300	3 M
500	5 M

### Cable for F3 valve terminal



\* Our standard cable inventory includes single-head cables of 1.5m, 3m lengths., if you choose other specification (for example: double head, customize length) there may be a longer lead time for delivery.



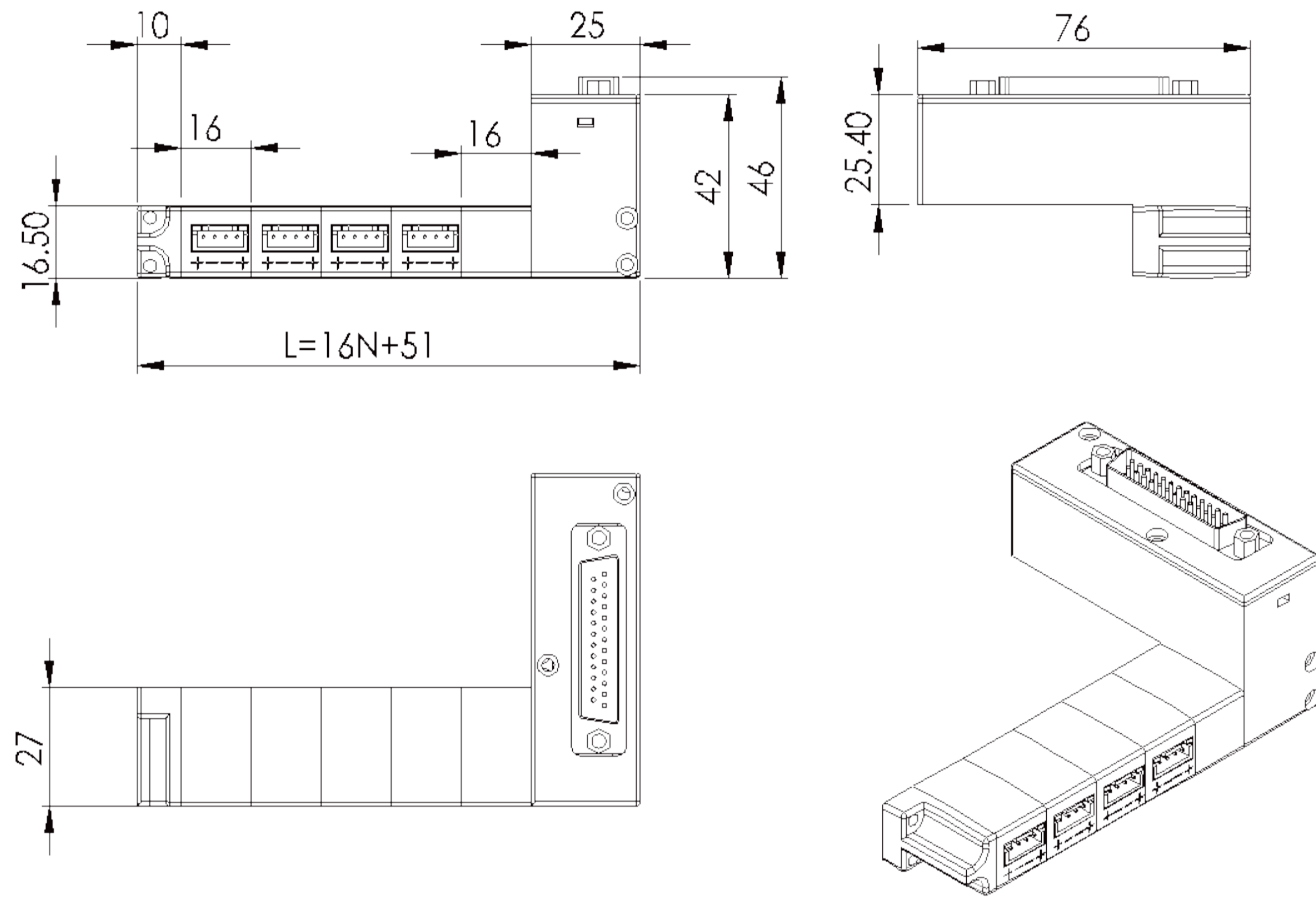
Mark	Contactor
S	Single head
D	Double head

Mark	Length
150	1.5 M
300	3 M
	Customize

# Dimension

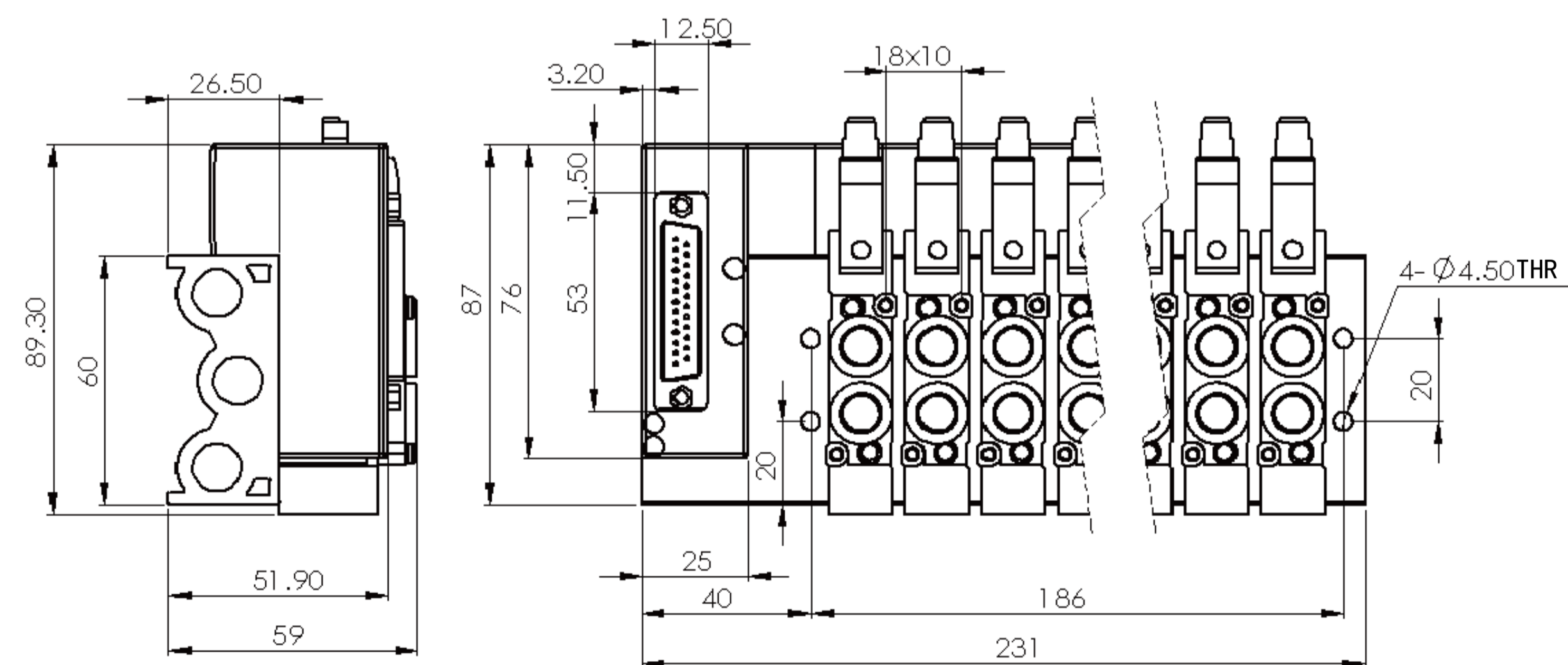
## F1 Universal valve terminal

F1 valve island continues to use the original manifold plate of each solenoid valve, so there is no unified size. The following dimensions apply to the integrate valve modules:



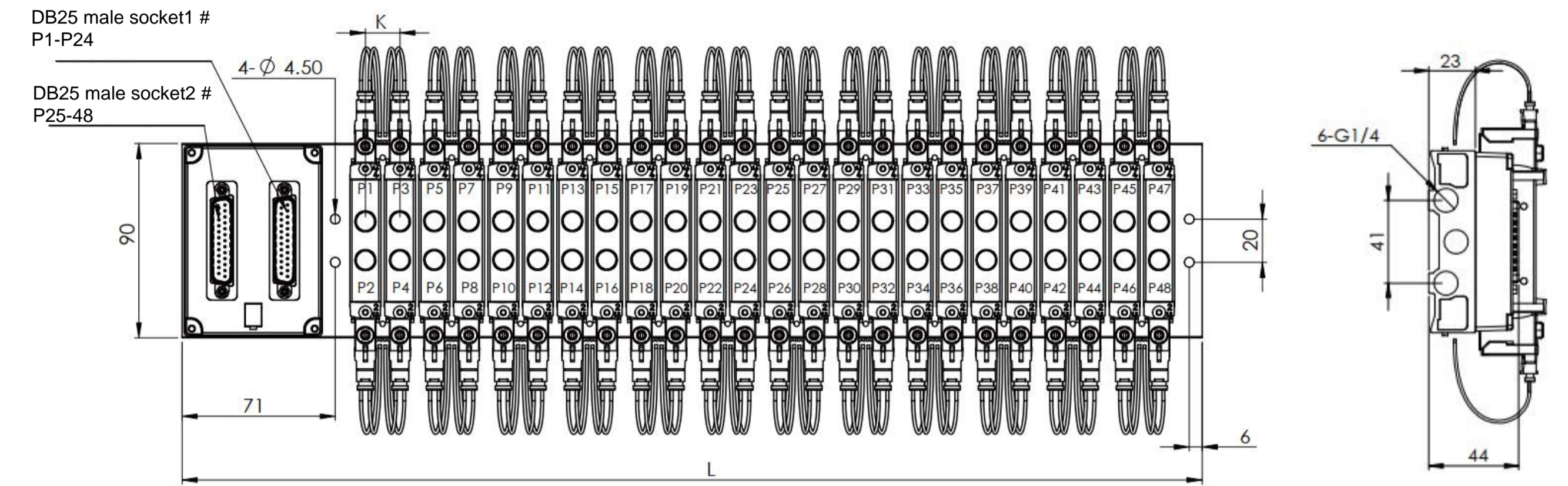
Station	4	5	6	7	8	9	10	11	12
L	115	131	147	163	179	195	211	227	243

For example: SY5120 multi-pin plug valve terminal in 10 stations.

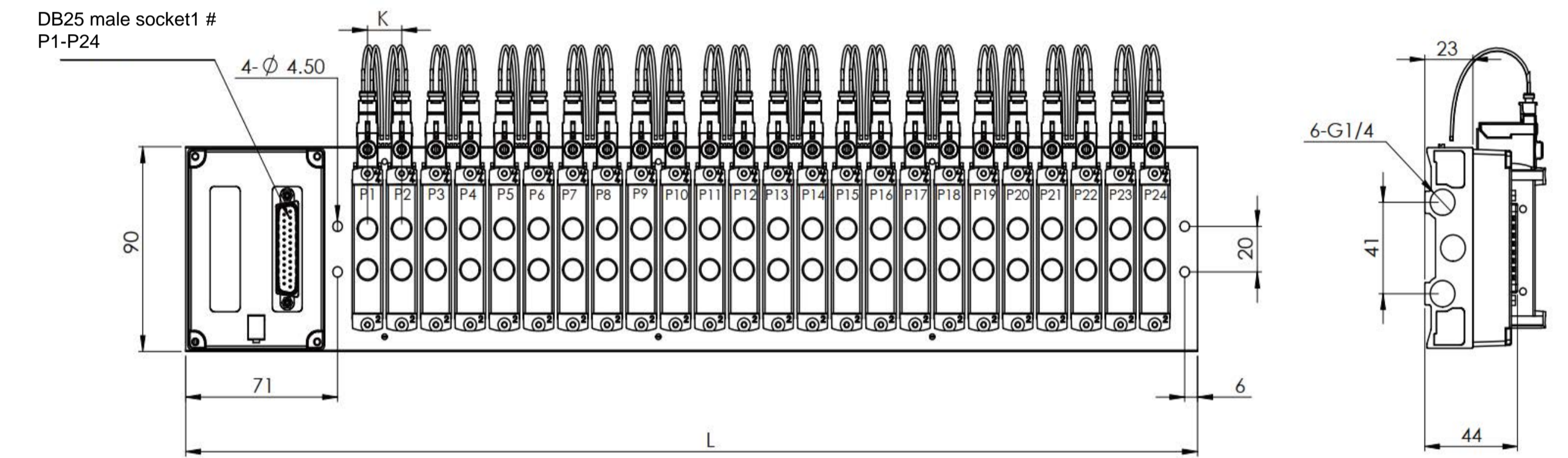


## F2S Valve terminal

### Double solenoid



### Single solenoid



### L Dimension

Station	4	6	8	10	12	14	16	18	20	22	24
K=10.5	136.5	157.5	178.5	199.5	220.5	241.5	262.5	283.5	304.5	325.5	346.5
K=16	153	185	217	249	281	313	345	377	409	441	473
K=19	165	203	241	279	317	355	393	431	469	507	545
K=23	180	226	272	318	364	410	456	502	548	594	640

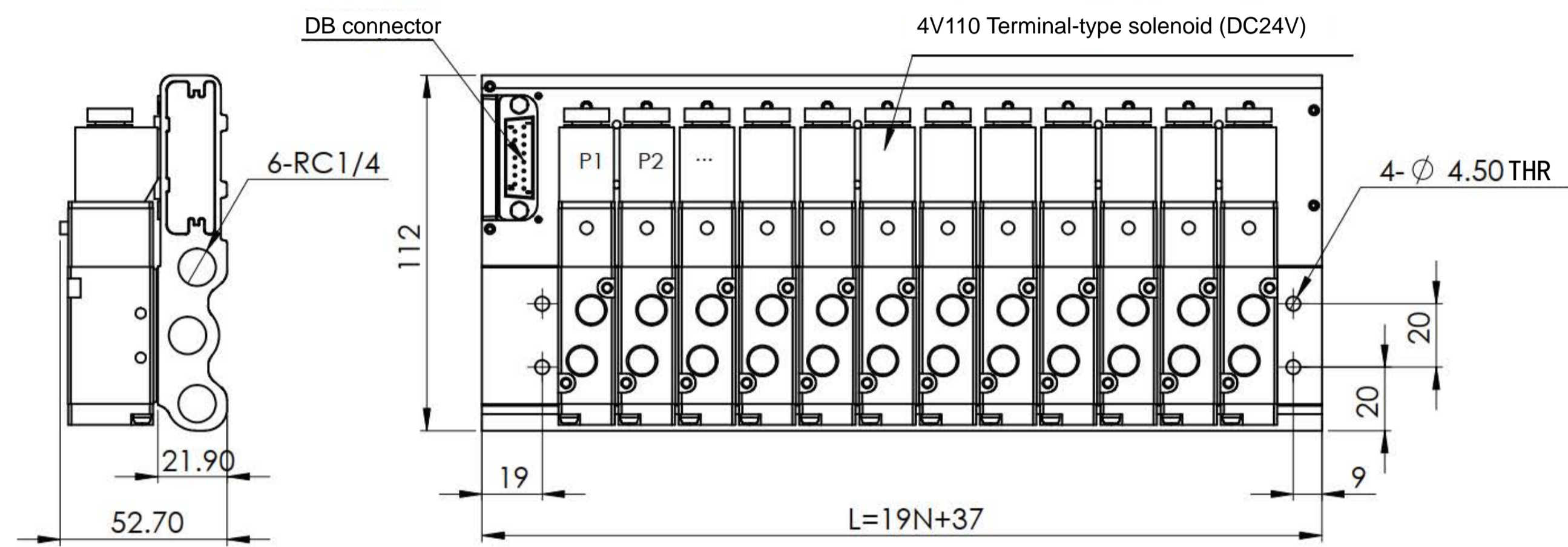
Brand	Code	Series	K Value (mm)	Brand	Code	Series	K Value (mm)
FESTO	F01	VUVG-L10/LK10	10.5	AIRTAC	A01	4V100M	19
	F02	VUVG-L14/LK14	16		A02	4V200M	23
SMC	S01	SY3□20	10.5		A04	7V0500M	10.5
	S02	SY5□20	16		A05	7V100M	16
	S03	SY7□20	10.5		A06	7V200M	19
CKD	C01	4GD1	16		A07	5V100M	19
	C02	4GD2	19		A08	5V200M	23
	C03	4GD3	19				

# Dimension

## Embedded valve terminal

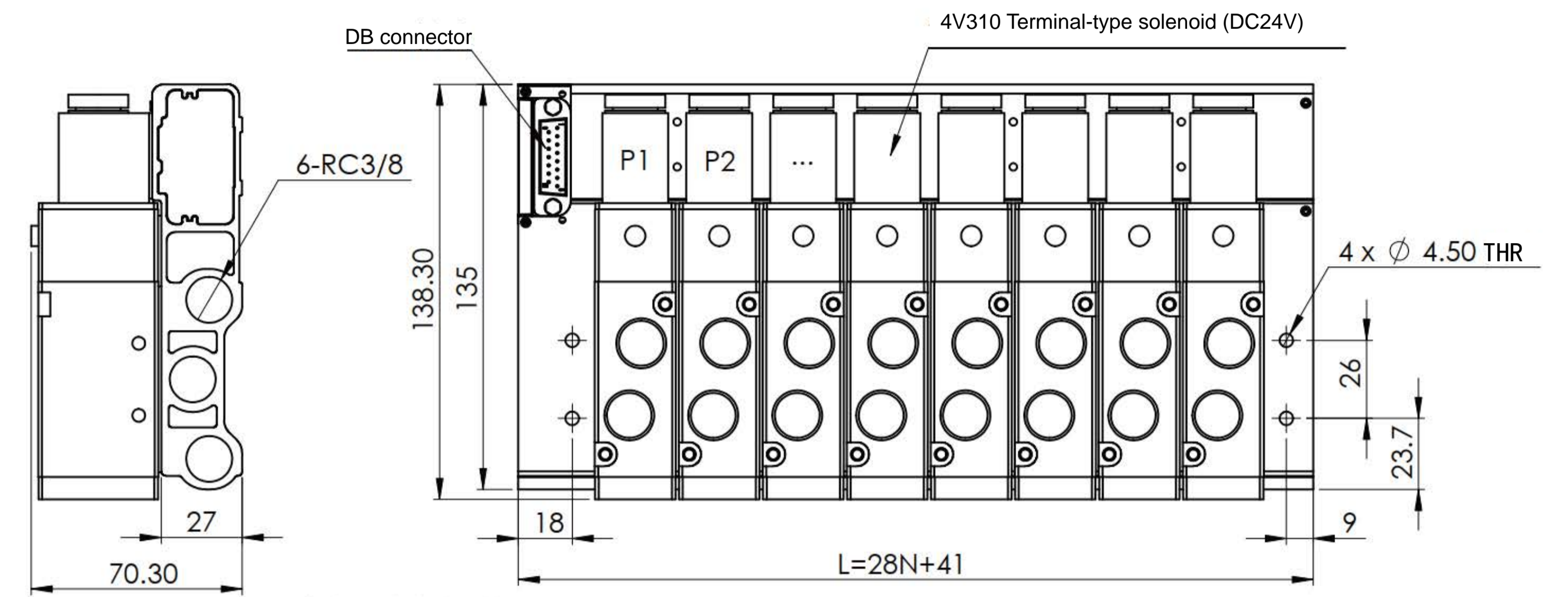
### F3 valve terminal

Dimension of F3 - 4V110M sub base valve terminal



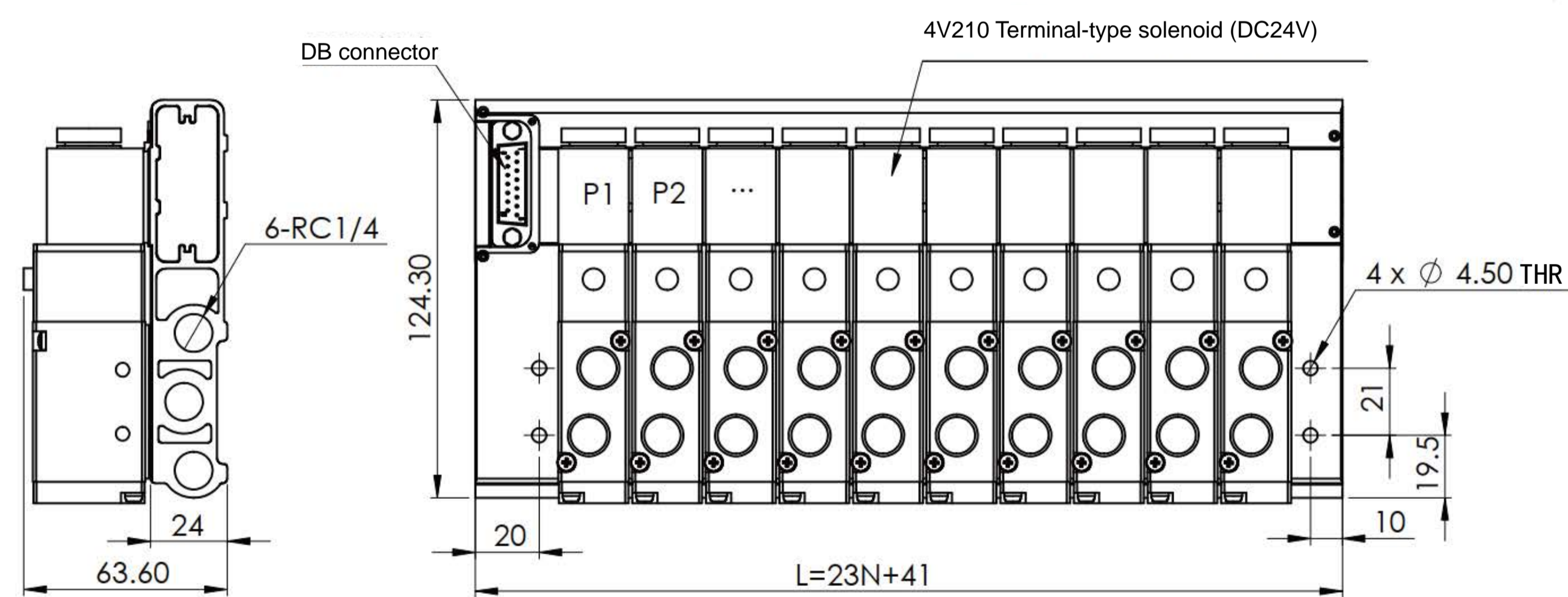
Station	4	5	6	7	8	9	10	11	12
L	113	132	151	170	189	208	227	246	265

Dimension of F3 - 4V310M sub base valve terminal



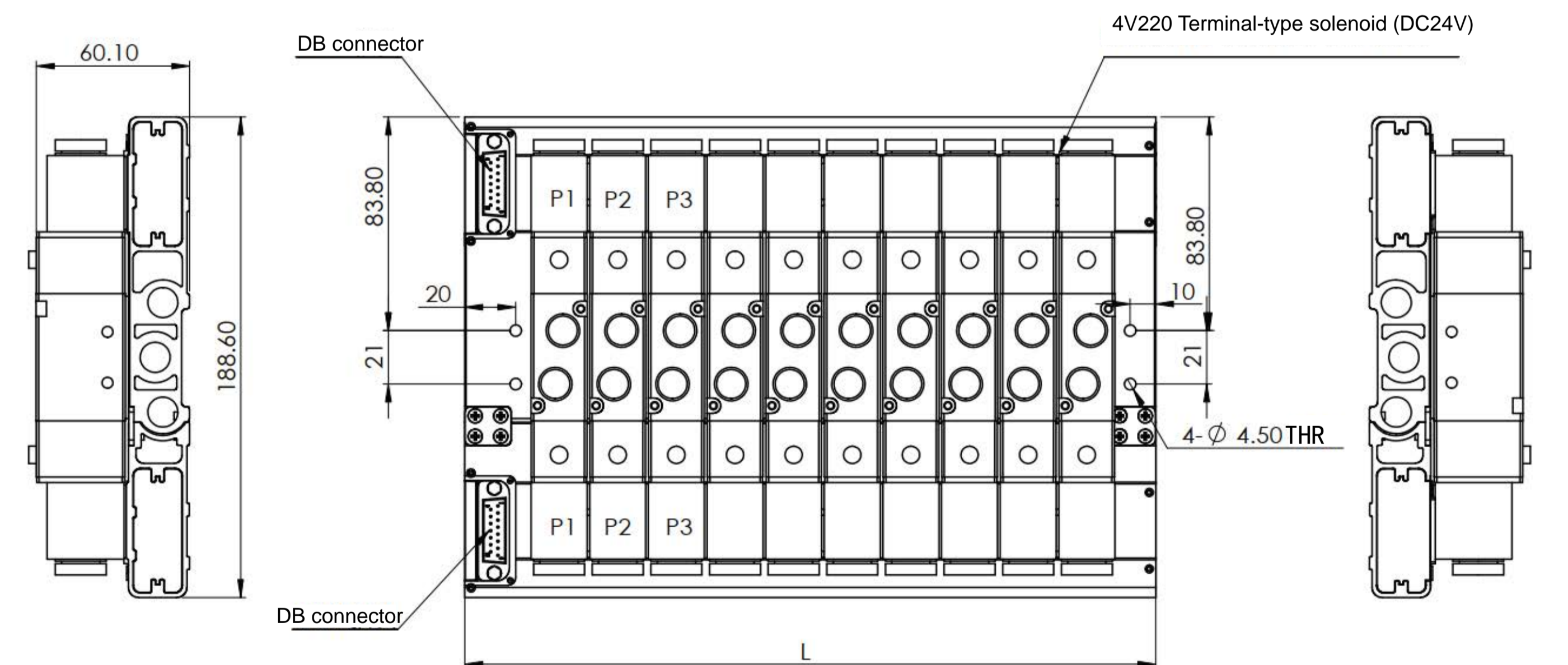
Station	4	5	6	7	8	9	10	11	12
L	153	181	209	237	265	293	321	349	377

Dimension of F3 - 4V210M sub base valve terminal



Station	4	5	6	7	8	9	10	11	12
L	133	156	179	202	225	248	271	294	317

Dimension of F3 - 4V220M sub base valve terminal



Station	4	5	6	7	8	9	10	11	12
L	133	156	179	202	225	248	271	294	317